

MHN33PR

ENERGY ADVANTAGE™ FRONT-LOAD WASHER



ADVANCED SPIN TECHNOLOGY

- Delivers more accurate cycle times and better unbalanced performance.*
- A six-point suspension features four dampers and two springs, providing better stability for the entire wash unit.
- An accelerometer provides an accurate reading of cabinet vibration.



DURACORE DRIVE SYSTEM

- Advanced drive system is more reliable.**
- Watertight, flexible triple-lip seal with garter spring keeps moisture away from the shaft, protecting the premium bearings.
- Durable shaft sleeve is designed to eliminate shaft wear.



INTELLIGENT CONTROLS WITH M-SERIES TECHNOLOGY

- Provides powerful profits for owners and flexibility for customers.
- Enhanced controls allow customized setup; each cycle and option can be priced individually, maximizing revenue.



ENERGY-EFFICIENT CLEANING

- ENERGY STAR®-qualified and uses on average 10.71 gallons of water per cycle, which helps reduce energy and water costs.
- TurboWash™ System's proven high-efficiency technology delivers energy savings without sacrificing cleaning performance.



CLOTHESPIN™ APP BY MAYTAG COMPATIBLE

- Customers will love how convenient it is to do their laundry with the new Clothespin™ app by Maytag.
- They can use their smartphones to pay for their laundry, remotely check for available washers and dryers, and receive a notification when their laundry cycles are complete.***



*Compared to previous model, MHN30, based on 18-lb load.

**Compared to previous model, MHN30.

***Subject to terms of use and privacy policy. Message and data rates may apply. In Canada, Maytag Connect 360™ compatible only.



REDESIGNED BELLOW



ROBUST HINGE



DURABLE DISPENSER



FRONT ACCESS PANEL



Visit maytagcommerciallaundry.com or call 800-662-3587

MY160018

OUR COMMITMENT TO DEPENDABLE QUALITY

For well over 50 years, Maytag® Commercial Laundry has promised and delivered dependability. We create that quality by making durable washers and dryers, built to endure heavy use and last for years. We design our machines to perform reliably and to produce consistent results. Finally, we give our washers and dryers the power to do their jobs thoroughly, cleaning and drying laundry quickly and efficiently—and justifying the trust that has been placed in us for generations.

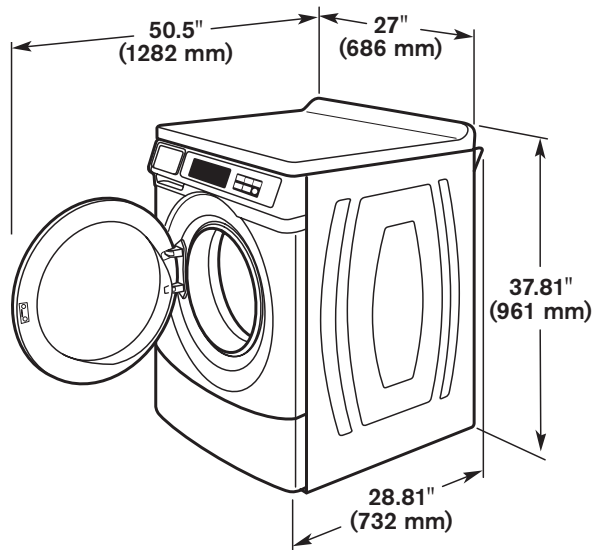
MAYTAG® ENERGY ADVANTAGE™ HE FRONT-LOAD WASHER INTELLIGENT CONTROLS, CARD READER

WASHER SPECIFICATIONS	
MODEL	MHN33PR
MOTOR	
Variable-speed, reversible, thermoprotected, high-efficiency, controlled induction	Yes
Wash—HP (kw)	.09 (.07)
Extract—HP (kw)	.54 (.40)
Average energy consumption per cycle (kWh)	.054
CAPACITY	
Cylinder volume—cu. ft. (liters)	3.1 (88)
Cylinder diameter—in. (mm)	21.6 (547)
Cylinder depth—in. (mm)	13.4 (341)
WATER INLET HOSE	
Ft. (m)	4 (1.22)
DRAIN HOSE	
Ft. (m)	6 (1.83)
APPROXIMATE WATER USAGE—GALLONS (LITERS)	
Average hot water usage, hot water cycle	2.71 (10.26)
Average hot water usage, warm water cycle	.71 (2.69)
Average total water usage per cycle	10.71 (40.5)*
Modified Energy Factor (MEF)	2.45
Water Factor (WF)	3.50
ELECTRICAL RATING	
Domestic model—voltage	120V/60Hz
BREAKER/FUSE MIN. REQUIREMENTS	
Domestic model—amps	15
WASH SPEED—RPM	40
EXTRACT SPEED—MAX RPM/MAX G-FORCE	1,000/300
WATER SUPPLY PRESSURE	
Psi (bar)	20–100 (1–8)
ADJUSTABLE LEVELING LEGS	Yes
COLOR	White
APPROXIMATE WEIGHT	
Crated—lbs. (kg)	244 (111)
Uncrated—lbs. (kg)	235 (107)
DIMENSIONS	
Width—in. (mm)	27 (686)
Depth—in. (mm) includes handle	28.81 (732)
Height—in. (mm)	37.81 (961)
Door opening diameter—in. (mm)	14.25 (362)
OPTIONAL PEDESTAL ADD:	
Height—in. (mm)	2.75 (70)

*Average based on DOE J1 testing with factory preset cycles.
Dimensions are for planning purposes only. See specific instructions for proper installation. Because of continuous product improvement, Maytag reserves the right to change specifications without notice.

MHN33PR

ENERGY ADVANTAGE™ FRONT-LOAD WASHER



5-YEAR LIMITED WARRANTY ALL PARTS COVERED

For a period from the date of original purchase through the time listed above, the designated parts that fail in normal commercial use will be repaired or replaced free of charge for the part itself, with the owner paying all other costs, including labor, transportation and customs duty. Chemical damage is excluded from all warranty coverage. See complete warranty for details.